

SPARE PARTS LIST

MODEL NO. LH1040

ITEM	PART NO.	DESCRIPTION	QTY	NOTE
001	153993-1	BLADE CASE COMPLETE	1	
002	262511-5	RUBBER SLEEVE 6	1	
003	251667-9	HEX. BOLT M8X75	1	
004	154521-5	COVER COMPLETE	1	
005	252103-8	HEX. LOCK NUT M5-8	1	
006	911223-4	PAN HEAD SCREW M5X16	1	
007	345423-8	RIVING KNIFE	1	
008	251644-1	HEX. FLANGE HEAD BOLT M8X20	2	
009	819064-1	MAKITA MARK	1	
010	183881-8	UNDER GUARD L	1	
		INC. 9		
011	421362-7	CAP	1	
012	226465-0	HELICAL GEAR 42	1	
013	213621-1	O RING 46	1	
014	316821-3	BEARING BOX	1	
015	211256-2	BALL BEARING 6203LLB	1	
016	285685-5	BEARING RETAINER 64	1	
017	911223-4	PAN HEAD SCREW M5X16	2	
018	322865-3	SPINDLE	1	
019	224333-1	FLANGE 53	1	
020	257262-3	RING 16	1	
021	224333-1	FLANGE 53	1	
022	265355-2	HEX. FLANGE HEAD BOLT M8X20	1	
023	343639-9	CENTER PLATE	1	
024	344380-7	CENTER COVER	1	
025	265324-3	HEX. FLANGE HEAD BOLT M8X12	1	
026	231593-8	TORSION SPRING 36	1	
027	418625-0	SAFETY COVER	1	
028	267136-0	FLAT WASHER 5	1	
029	911213-7	PAN HEAD SCREW M5X12	1	
030	265985-9	HEX.SOCKET HEAD BOLT M6	1	
031	265995-6	TAPPING SCREW 4X18	3	
032	418620-0	HOUSING COVER	1	
033	654561-8	TERMINAL BLOCK	1	
034	631613-2	SOFT START CIRCUIT	1	
035	265995-6	TAPPING SCREW 4X18	2	
036	*****	*****	***	*****
037	599519-9	FIELD ASS'Y 220-240V	1	
038	418621-8	BAFFLE PLATE	1	
039	211061-7	BALL BEARING 6000LLB	1	
040	681640-9	INSULATION WASHER	1	
041	516718-8	ARMATURE ASS'Y 220V	1	
		INC. 39,40,42,44,45		
042	241909-9	FAN 80	1	
043	343641-2	SHAFT LOCK	1	
044	211206-7	BALL BEARING 6202LLB	1	
045	267280-3	FLAT WASHER 15	1	
046	231297-2	COMPRESSION SPRING 9	1	
047	324496-4	LOCK PIN 8	1	
048	266029-8	TAPPING SCREW 5X65	2	
049	418629-2	SWITCH BOX	1	
050	265995-6	TAPPING SCREW 4X18	4	
052	652772-9	RELAY 305.232.01	1	
053	153996-5	CLAMP PLATE COMPLETE	1	
054	266020-6	TAPPING SCREW 4X12	2	
055	153995-7	HANDLE COMPLETE	1	
056	941201-0	FLAT WASHER 8	2	
057	331683-8	PIPE 9-126	1	
058	*****	*****	***	*****
059	911383-2	PAN HEAD SCREW M6X60	4	
060	181044-0	CARBON BRUSH CB-153	1	

SPARE PARTS LIST

MODEL NO. LH1040

ITEM	PART NO.	DESCRIPTION	QTY	NOTE
061	643650-4	BRUSH HOLDER CAP 6.5-13.5	2	
062	*****	*****	***	*****
063	682516-3	CORD GUARD 9.3-85	1	
064	665865-3	POWER SUPPLY CORD 1.0-2-2.5	1	
065	165389-4	BLADE GUARD	1	
066	911206-4	PAN HEAD SCREW M5X10	2	
067	272230-5	LEVER 54	1	
068	231955-0	RING SPRING 12	1	
069	331682-0	LOCK BOLT M8X150	1	
070	265995-6	TAPPING SCREW 4X18	4	
071	645200-1	NOISE SUPPRESSOR	1	
072	418618-7	PIN	1	
073	443103-1	FELT RING 6	1	
074	253186-1	FLAT WASHER 7	1	
075	231025-5	COMPRESSION SPRING 8	1	
076	418616-1	SWITCH BUTTON ON	1	
077	418617-9	SWITCH BUTTON OFF	1	
078	231025-5	COMPRESSION SPRING 8	1	
079	253186-1	FLAT WASHER 7	1	
080	443103-1	FELT RING 6	1	
081	418618-7	PIN	1	
086	231674-8	TORSION SPRING 9	1	
087	421589-9	CAP	1	
088	345427-0	LOCK LEVER	1	
089	911113-1	PAN HEAD SCREW M4X10	2	
090	265995-6	TAPPING SCREW 4X18	3	
091	265995-6	TAPPING SCREW 4X18	2	
092	912222-9	COUNTERSUNK HEAD SCREW M5X16	4	
093	912222-9	COUNTERSUNK HEAD SCREW M5X16	4	
094	272230-5	LEVER 54	1	
095	231955-0	RING SPRING 12	1	
096	331681-2	LOCK BOLT M8X70	1	
097	233042-1	COMPRESSION SPRING 14	1	
098	257675-8	SLEEVE 8	1	
099	317779-9	TABLE SUPPORT	1	
100	153992-3	TABLE COMPLETE	1	
101	165388-6	SUPPORT PLATE	2	
102	418619-5	UNDER GUARD R	1	
105	233415-8	COMPRESSION SPRING 21	1	
106	251812-6	SCREW M5X10	1	
107	251961-9	H.S.SET SCREW(FLAT POINT)M6X10	1	
108	345425-4	GUARD HOLDER	1	
109	231675-6	TORSION SPRING 11	1	
110	267070-4	FLAT WASHER 10	1	
111	911223-4	PAN HEAD SCREW M5X16	2	
112	324497-2	GUARD SHAFT	1	
113	911223-4	PAN HEAD SCREW M5X16	1	
114	345426-2	GUARD	1	
115	961018-5	STOP RING E-5	1	
116	253804-1	FLAT WASHER 6	1	
117	257163-5	RING 6	1	
118	344377-6	LINK PLATE	1	
119	265984-1	HEX.SOCKET BUTTON HEAD BOLT M6	1	
120	253823-7	FLAT WASHER 7	1	
121	257162-7	RING 7	1	
122	416006-2	LEVER 100	1	
123	911113-1	PAN HEAD SCREW M4X10	1	
124	265437-0	HEX. BOLT M10	1	
125	253024-7	FLAT WASHER 10	1	
126	256836-7	ROD 16	1	
127	154463-3	ARM COMPLETE	1	

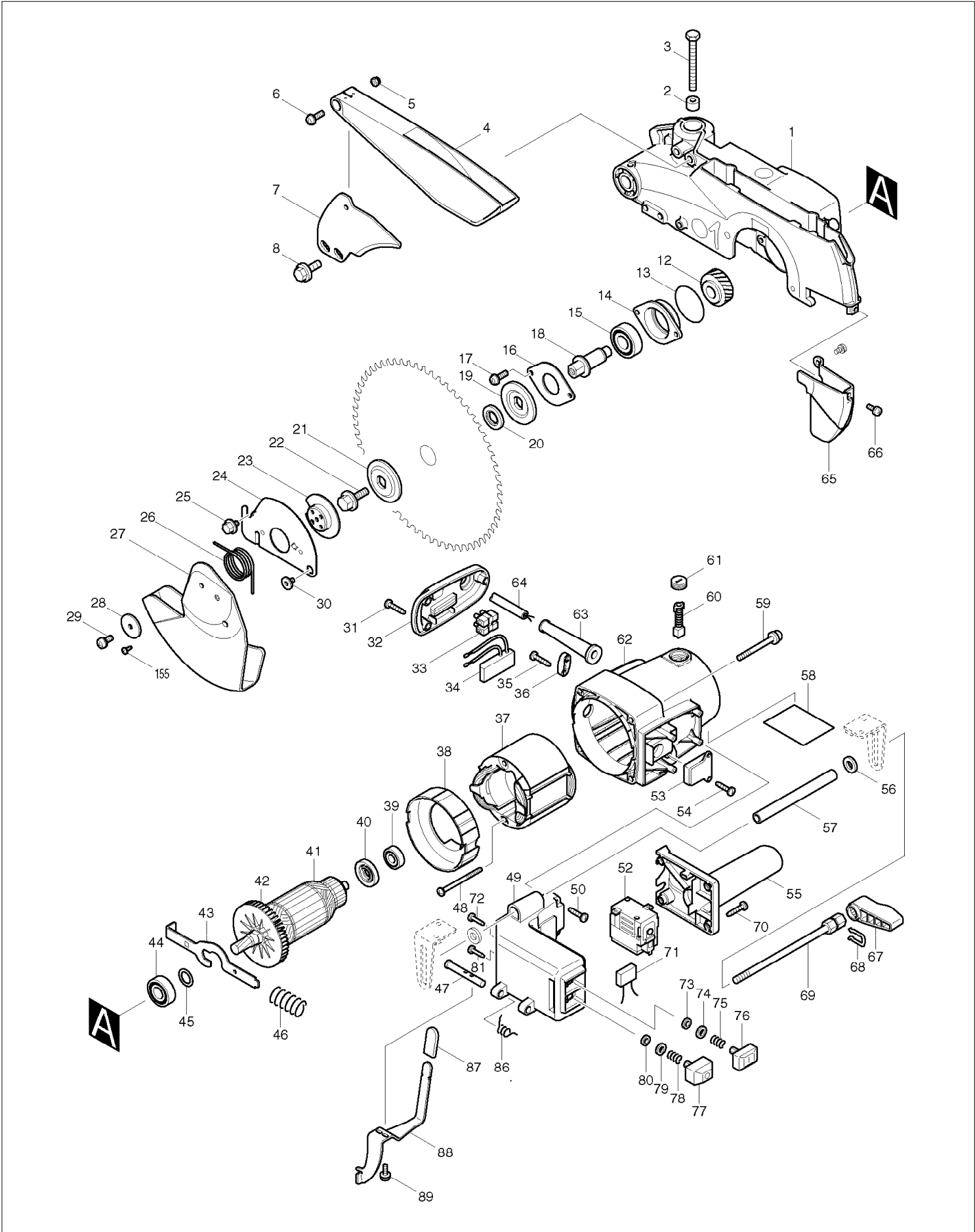
SPARE PARTS LIST

MODEL NO. LH1040

ITEM	PART NO.	DESCRIPTION	QTY	NOTE
128	421867-7	CAP	1	
129	324183-5	STOPPER PIN	1	
130	213021-5	O RING 5	1	
131	271601-3	KNOB 20	1	
132	256280-8	PIN 8	1	
133	344464-1	SPRING HOLDER	1	
134	233414-0	COMPRESSION SPRING 27	1	
135	343799-7	SLIDE PLATE	3	
136	344385-7	POINTER	1	
137	911113-1	PAN HEAD SCREW M4X10	1	
138	265455-8	HEX. BOLT M8X28	2	
139	253762-1	FLAT WASHER 8	1	
140	252105-4	HEX. LOCK NUT M8-13	1	
141	418615-3	KERF BOARD	1	
142	418615-3	KERF BOARD	1	
143	265488-3	HEX. BOLT M8X30	4	
144	317782-0	GUIDE FENCE	1	
145	316824-7	TURN BASE	1	
146	265708-5	SCREW M6X20	1	
147	153998-1	BASE COMPLETE	1	
148	266034-5	TAPPING SCREW CT 4X16	1	
149	232075-3	LEAF SPRING	1	
150	344381-5	KNOCK SPRING	1	
151	273495-2	GRIP 32	1	
152	911213-7	PAN HEAD SCREW M5X12	2	
153	921452-1	HEX. BOLT M8X30	1	
154	286212-1	CAP 20	4	
155	265954-0	TAPPING SCREW BIND PT3X8	1	
A01	*****	*****	***	*****
A02	122523-9	DUST BAG ASS'Y	1	
A03	122707-9	RULER ASS'Y	1	
A04	257022-3	RING 16	1	
A05	762001-3	TRIANGULAR RULE	1	
A06	122716-8	SUB PLATE ASS'Y	1	
A07	322312-4	HOLDER	1	
A08	416772-1	PUSH STICK	1	
A09	418626-8	BLADE COVER	1	
A10	B-03838	T.C.T.SAW BLADE 260X30X60T	1	
A11	782212-4	SOCKET WRENCH 13	1	

SERVICE DRAWING

MODEL NO. LH1040



SERVICE DRAWING

MODEL NO. LH1040

