

# SPARE PARTS LIST

MODEL NO. UC4020A

| ITEM | PART NO. | DESCRIPTION                 | QTY | NOTE  |
|------|----------|-----------------------------|-----|-------|
| 001  | 266326-2 | TAPPING SCREW 4X18          | 3   |       |
| 002  | 419234-8 | REAR COVER                  | 1   |       |
| 003  | 191972-1 | CARBON BRUSH CB-132         | 1   |       |
| 004  | 682211-5 | RUBBER SLEEVE               | 2   |       |
| 005  | 861999-2 | UC4020A NAME PLATE          | 1   |       |
| 006  | 421938-0 | FRONT GRIP                  | 1   |       |
| 007  | 266388-0 | TAPPING SCREW 5X16          | 1   |       |
| 008  | 267189-9 | FLAT WASHER 5               | 1   |       |
| 009  | 419235-6 | FRONT HAND GUARD            | 1   |       |
| 010  | 231640-5 | TORSION SPRING 20           | 1   |       |
| 011  | 188089-9 | HOUSING SET<br>INC. 62      | 1   |       |
| 012  | 650577-1 | SWITCH SD-006-BB2AA-AA      | 1   |       |
| 013  | 651922-3 | SWITCH TG71B                | 1   |       |
| 014  | 233173-6 | COMPRESSION SPRING 4        | 1   |       |
| 015  | 416178-3 | LOCK-OFF BUTTON             | 1   |       |
| 016  | 416708-0 | SWITCH LEVER                | 1   |       |
| 017  | 645200-1 | NOISE SUPPRESSOR            | 1   |       |
| 018  | 266326-2 | TAPPING SCREW 4X18          | 2   |       |
| 019  | 687052-4 | STRAIN RELIEF               | 1   |       |
| 020  | 682540-6 | CORD GUARD 9.3-90           | 1   |       |
| 021  | 665876-8 | POWER SUPPLY CORD 1.0-2-0.6 | 1   |       |
| 022  | 210029-0 | BALL BEARING 608ZZ          | 1   |       |
| 023  | 681644-1 | INSULATION WASHER           | 1   |       |
| 024  | 594538-0 | FIELD ASS'Y 220-240V        | 1   |       |
| 025  | 266389-8 | TAPPING SCREW 5X70          | 2   |       |
| 026  | *****    | *****                       | *** | ***** |
| 028  | 419238-0 | BAFFLE PLATE                | 1   |       |
| 029  | 211061-7 | BALL BEARING 600LLB         | 1   |       |
| 030  | 227153-2 | SPUR GEAR 12                | 1   |       |
| 031  | 931403-6 | HEX. NUT M8                 | 1   |       |
| 032  | 286274-9 | CAP                         | 1   |       |
| 033  | 421934-8 | PACKING                     | 1   |       |
| 034  | 419240-3 | OIL TANK                    | 1   |       |
| 035  | *****    | *****                       | *** | ***** |
| 036  | *****    | *****                       | *** | ***** |
| 037  | 421935-6 | OIL TUBE                    | 1   |       |
| 038  | 231975-4 | SPRING                      | 1   |       |
| 039  | 416274-7 | CAP                         | 1   |       |
| 040  | 256021-2 | PIN 5                       | 1   |       |
| 041  | 158047-9 | LINK PLATE COMPLETE         | 1   |       |
| 042  | 233175-2 | COMPRESSION SPRING 9        | 1   |       |
| 044  | 266326-2 | TAPPING SCREW 4X18          | 1   |       |
| 045  | 267195-4 | FLAT WASHER 4               | 1   |       |
| 046  | 168321-7 | BRAKE BAND                  | 1   |       |
| 047  | 344688-9 | BRAKE RING                  | 1   |       |
| 048  | 231817-2 | TENSION SPRING 5            | 1   |       |
| 049  | 419236-4 | BEARING HOLDER              | 1   |       |
| 050  | 213039-6 | O RING 6                    | 1   |       |
| 051  | 266326-2 | TAPPING SCREW 4X18          | 4   |       |
| 052  | 417405-1 | CAM                         | 1   |       |
| 053  | 227154-0 | SPUR GEAR 43                | 1   |       |
| 054  | 324619-4 | SPINDLE                     | 1   |       |
| 055  | 210106-8 | BALL BEARING 6001LLB        | 1   |       |
| 056  | *****    | *****                       | *** | ***** |
| 057  | 210028-2 | BALL BEARING 606ZZ          | 1   |       |
| 058  | 324622-5 | ROD                         | 1   |       |
| 059  | *****    | *****                       | *** | ***** |
| 060  | 266326-2 | TAPPING SCREW 4X18          | 2   |       |
| 061  | 345651-5 | SPIKE BUMPER                | 1   |       |
| 062  | 188089-9 | HOUSING SET                 | 1   |       |

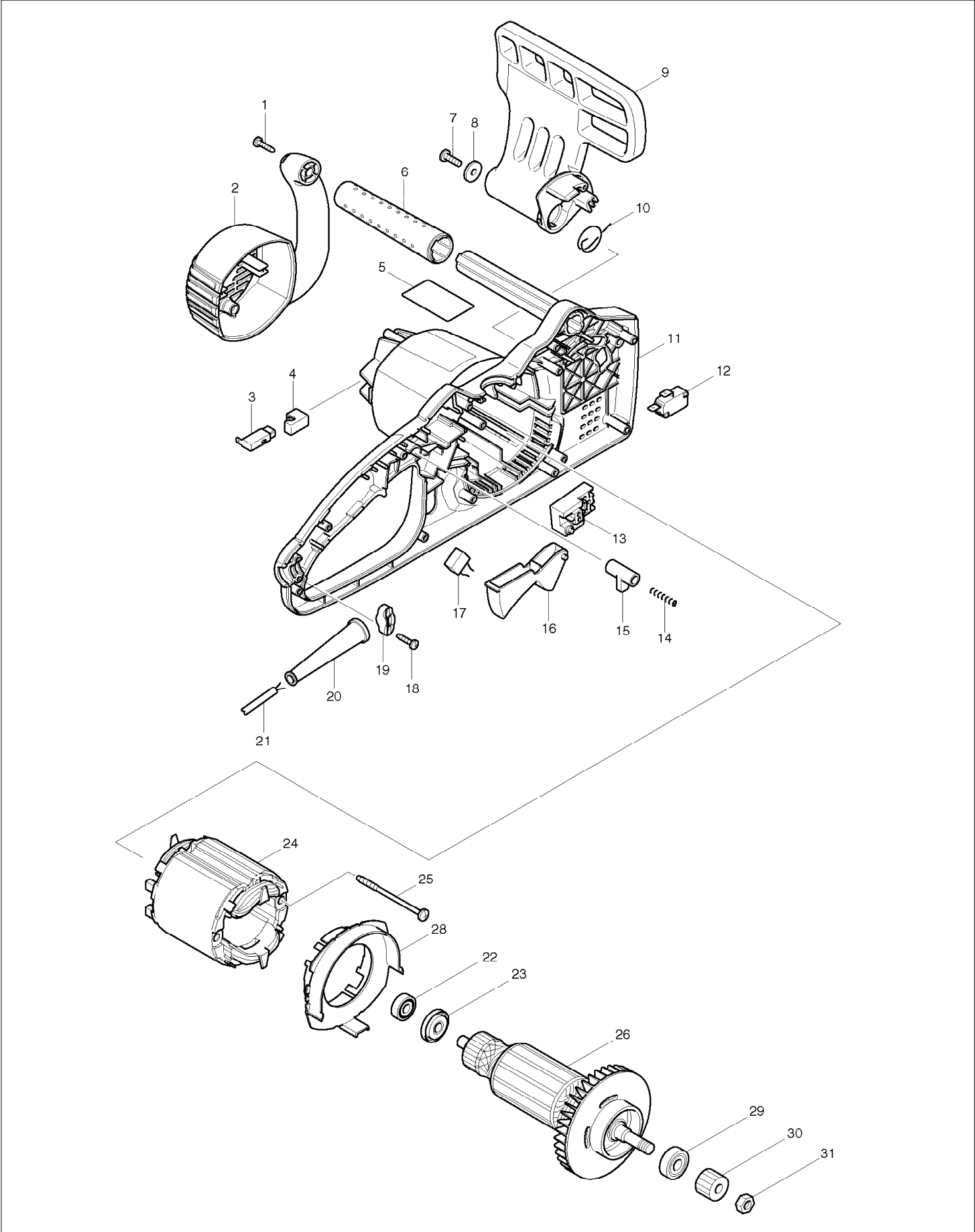
# SPARE PARTS LIST

MODEL NO. UC4020A

| ITEM | PART NO. | DESCRIPTION                | QTY | NOTE |
|------|----------|----------------------------|-----|------|
|      |          | INC. 11                    |     |      |
| 063  | 266326-2 | TAPPING SCREW 4X18         | 7   |      |
| 064  | 221526-1 | SPROCKET                   | 1   |      |
| 065  | 259036-8 | STOP RING E-8              | 1   |      |
| 066  | 266007-8 | TAPPING SCREW BIND PT 3X10 | 1   |      |
| 067  | 419241-1 | COVER                      | 1   |      |
| 068  | 227496-2 | STRAIGHT BEVEL GEAR 14     | 1   |      |
| 069  | 227495-4 | STRAIGHT BEVEL GEAR 14     | 1   |      |
| 070  | 324620-9 | ADJUST SCREW               | 1   |      |
| 071  | 324621-7 | ADJUST PIN                 | 1   |      |
| 072  | 165247-4 | GUIDE BAR                  | 1   |      |
| 073  | 233033-2 | COMPRESSION SPRING 4       | 1   |      |
| 074  | 216008-6 | STEEL BALL 4               | 1   |      |
| 075  | 252168-0 | HEX. NUT M8-13             | 1   |      |
| 076  | 231025-5 | COMPRESSION SPRING 8       | 1   |      |
| 077  | 317977-5 | LEVER HOLDER               | 1   |      |
| 078  | 419271-2 | CUP WASHER 20              | 1   |      |
| 079  | 154763-1 | LEVER COMPLETE             | 1   |      |
| 080  | 951122-8 | SPRING PIN 4-28            | 1   |      |
| 081  | 915106-0 | BINDING HEAD SCREW M4X8    | 1   |      |
| 082  | 253874-0 | FLAT WASHER 4              | 1   |      |
| 083  | 419233-0 | DIAL 40                    | 1   |      |
| 084  | 154761-5 | SPROCKET COVER COMPLETE    | 1   |      |
| 085  | 421960-7 | SPONGE                     | 1   |      |
| 086  | 324685-1 | HOSE CLAMP                 | 1   |      |
| 087  | 443125-1 | FILTER                     | 1   |      |
| 088  | 259041-5 | PUSH NUT 8                 | 1   |      |
| A01  | 158024-1 | HOOK COMPLETE              | 1   |      |
| A02  | 419242-9 | CHAIN COVER                | 1   |      |
| A03  | 803898-2 | UC4020A CARTON LABEL       | 1   |      |

# SERVICE DRAWING

MODEL NO. UC4020A



# SERVICE DRAWING

MODEL NO. UC4020A

